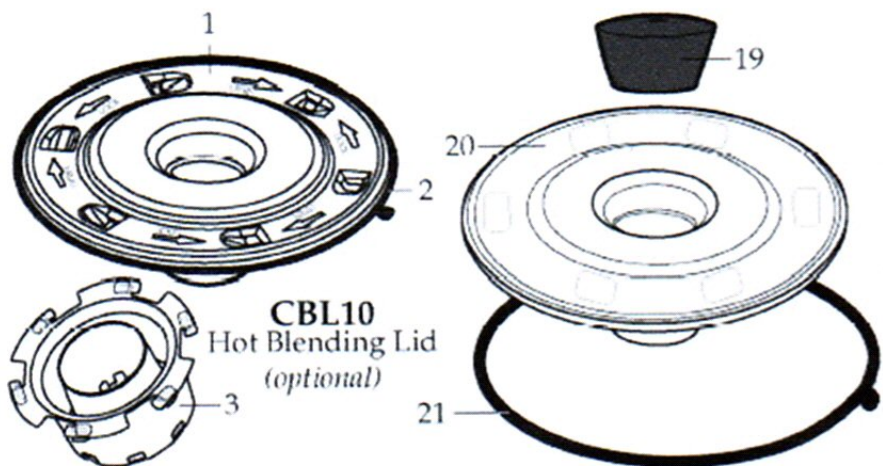


WARING COMMERCIAL

CB10
CB10S/CB10 packed with CBL10
CB10CS/CSA
CB10D/Edward Don
CB10DB/CB10D packed with BB15DW
CB10R/Rykoff
CBC10/Calico
LBC10/Laboratory
LBC10C/Laboratory CSA

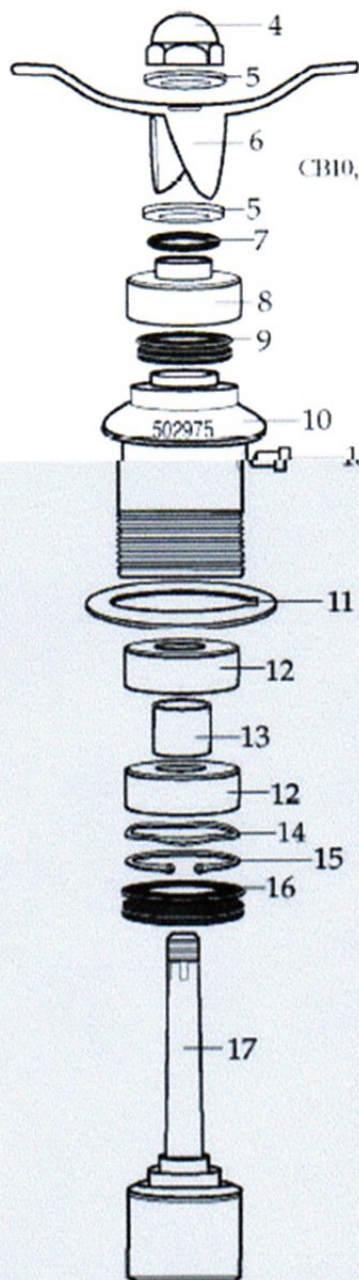


CBL10
 Hot Blending Lid
 (optional)



013304
 NSF Seal

CB10, CB10CS, CB10D, CB10R, CBC10, LBC10



Parts to old 502493
Blending Assy.

different from new Assy.
 (limited quantities available)

018397 - Washer

018388 - O Ring

023903 - Bearing Cap

Parts to old 501838
Blending Assy.

different from 502493 Assy.
 (limited quantities available)

018396 - Blade

018387 - Spacer

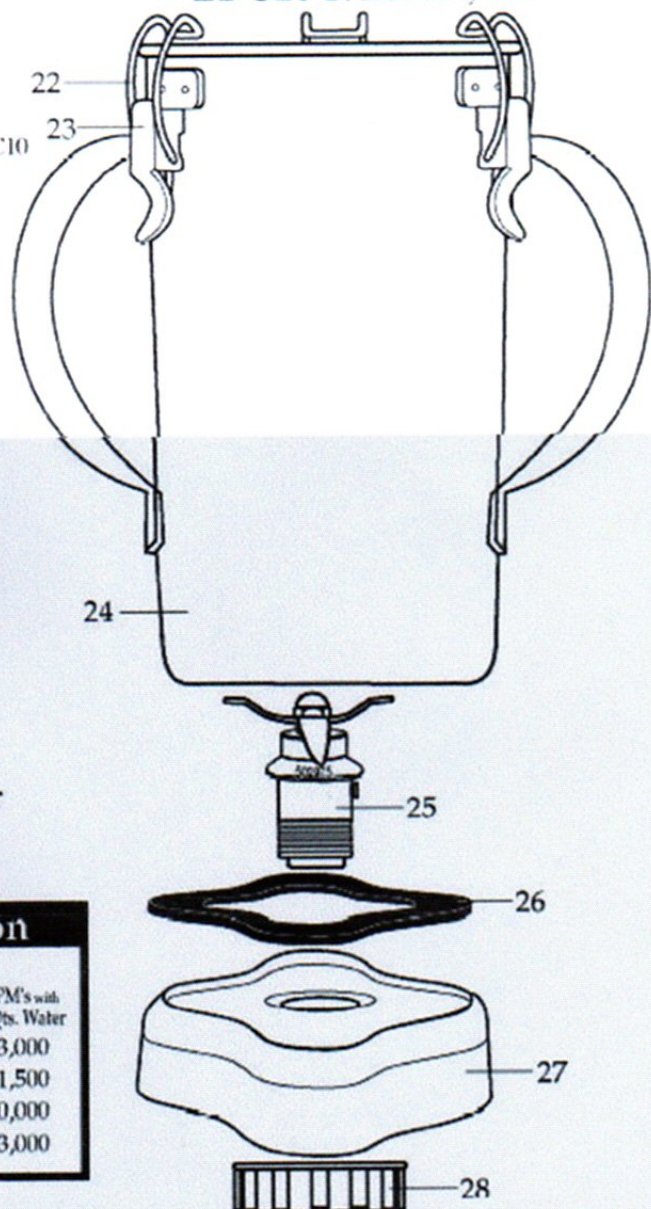
018394 - Drive Shaft

018438 - Bearing Holder

018383 - Bearing Cap

Unit Information

Speeds	3 HP 15 Amps.		
	RPM's Free	RPM's with 2 Qts. Water	RPM's with 4 Qts. Water
HI	20,000	15,000	13,000
MED	18,300	13,000	11,500
LOW	15,000	11,500	10,000
Pulse	20,000	15,000	13,000



502975 or 502493X
 Blending Assembly
 (replaces 502493 & 501838)

502235 - Container with Blending Assy. for All Units EXCEPT LBC10C

501866 - Container with Blending Assy. for LBC10C

704587 - Container Complete with Plastic Lid for All Units EXCEPT LBC10C

704350 - Container Complete with Stainless Steel Lid for All Units EXCEPT LBC10C

Graphic By: Sandra A. Montysko Revised November 29, 2004 Page 1 of 4