

# WARING COMMERCIAL

## BB180

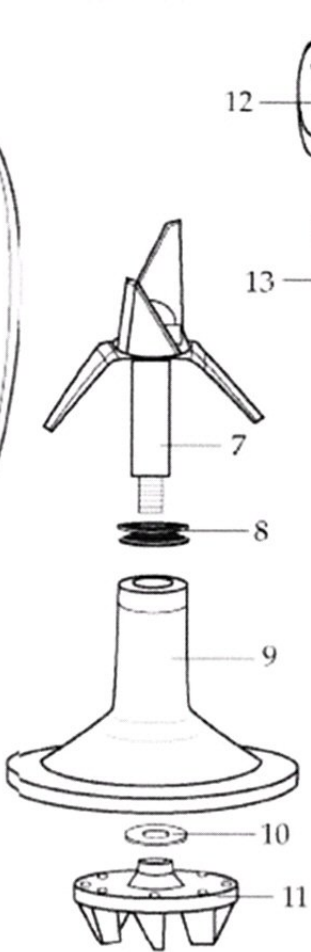
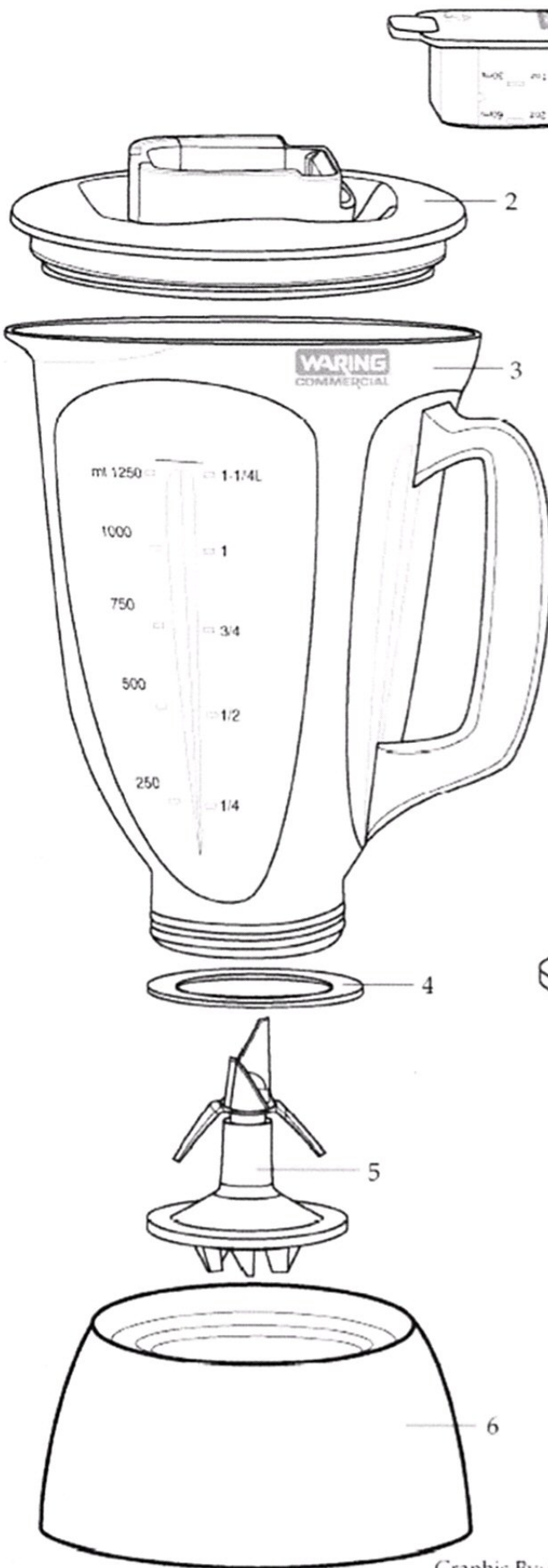
44 oz. polycarbonate container

## BB180S

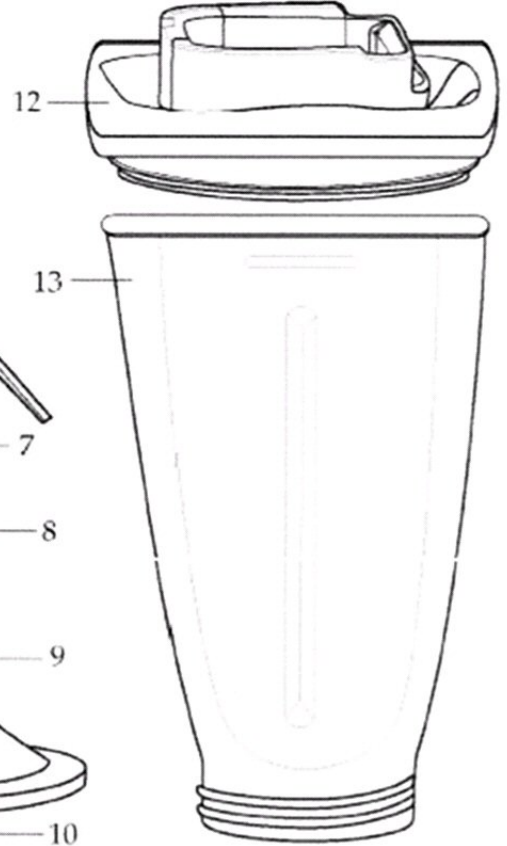
32 oz. stainless steel container



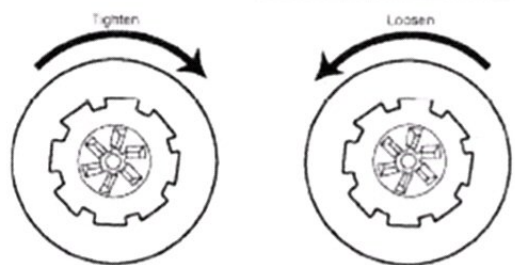
013304  
NSF Seal



027703  
Blending Assy.



**Unit Information**  
Limited 2 Year Warranty  
60Hz  
5 Amps  
1/2 HP Motor  
Hamilton Beach 901, 908 & 909  
Jars Can Be Used On This Unit



Jar Upside Down with Jar Bottom Facing You